

# TABLESAW

To certify on the tablesaw you will need to know:

1. The safety rules.
2. How to change the blade on the tablesaw.
3. Know the parts of the tablesaw.
4. Set up the tablesaw and make a rip cut and crosscut.

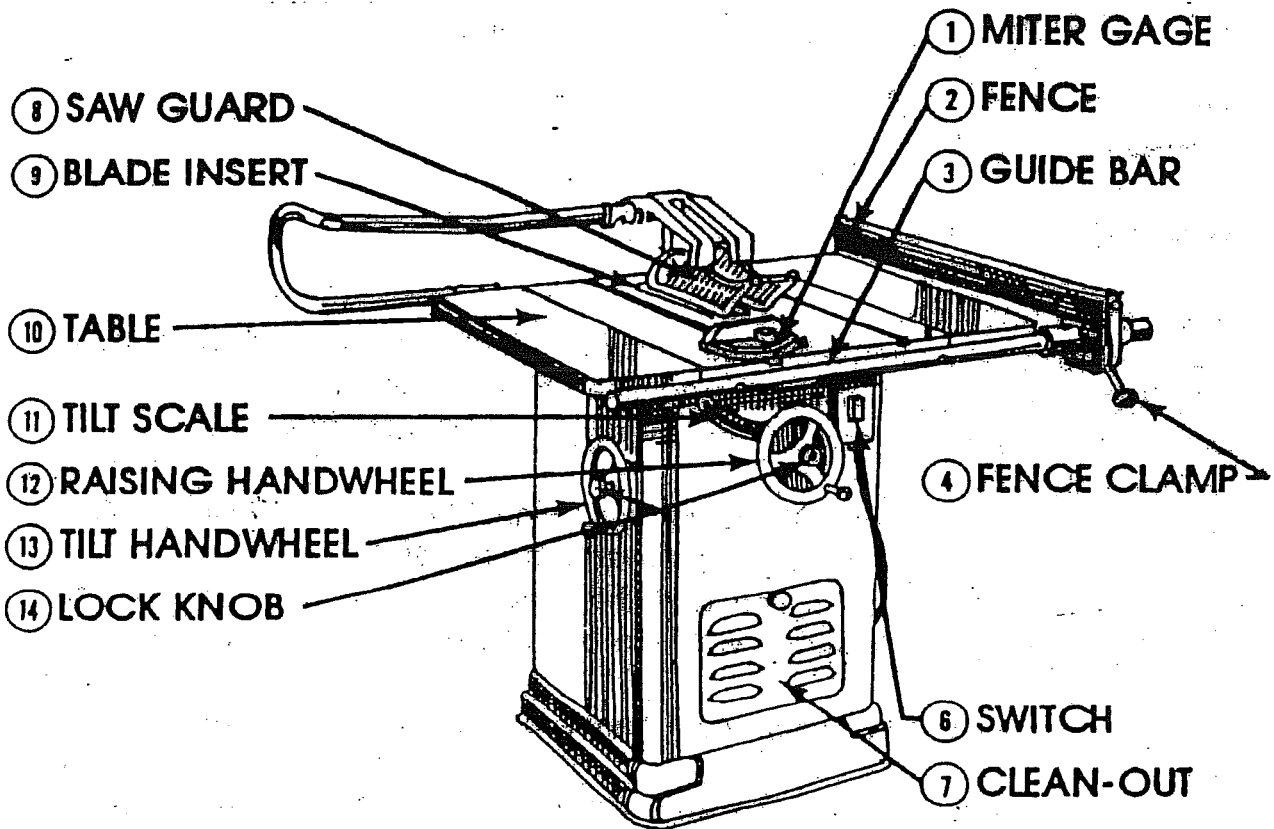
## Tablesaw safety rules

1. Wear eye protection.
2. Remove jewelry , eliminate loose clothing and confine long hair.
3. Use properly secured and adjusted guards at all times.
4. Make all adjustments and remove scraps with the machine completely stopped.
5. Select proper blade and set at correct height (1/8 inch above wood).
6. Never saw freehand - never reach over the saw blade.
7. Stand to the side - not in line with the blade.
8. Make sure blade is installed with the teeth pointing in the proper direction.
9. A push stick should be used when hands come within 3 inches of the blade.
10. Use the rip fence for ripping and the miter gauge for crosscutting.
11. Stop the machine, lower the blade below the table, and clean up scraps when completed.

## How to change blades on the tablesaw

1. Shut off power at circuit panel and place wood block in clean out.
2. Remove blade insert, use push stick to hold blade and pull towards you with the wrench. remove nut, washer and the blade.
3. Install blade, check direction of the teeth and replace washer and nut.
4. Use the push stick to hold blade, push wrench to tighten nut of blade. Install blade insert.
5. Removewood from clean out, turn on circuit breaker.

## Tablesaw parts



### How to make a rip cut.

1. Adjust the blade so the teeth are  $\frac{1}{8}$ " above the wood.
2. Set the fence to the desired width. Check with a ruler the distance from the face of the fence to the tooth of the blade which is set towards the fence side. Lock the fence in place.
3. Place the board on the table. If the board is cupped, place the cupped side down, so that the board will not rock on the table.
4. Hold the work firmly against the fence and push the board into the blade.
5. Do not stand directly behind the work being cut between the blade and the fence.
6. Use a push stick when ripping narrow stock. Keep the push stick close to the guard as you cut. Push wood past the guard.

## How to make a crosscut.

1. Adjust the blade so the teeth are  $1/8$ " above the wood.
2. Place the miter gauge in the miter gauge groove in the table.
3. Use the try square and square the miter gauge to the blade.
4. Hold wood firmly against the face of the miter gauge.
5. Check that the blade will be on the waste wood side of the line of cut.
6. Make sure the guard is in place. Start the saw and after the blade has reached full speed, guide the wood into the blade and past the guard.
7. Wait for the blade to stop before you remove any scraps.