

SQUARING SHEAR

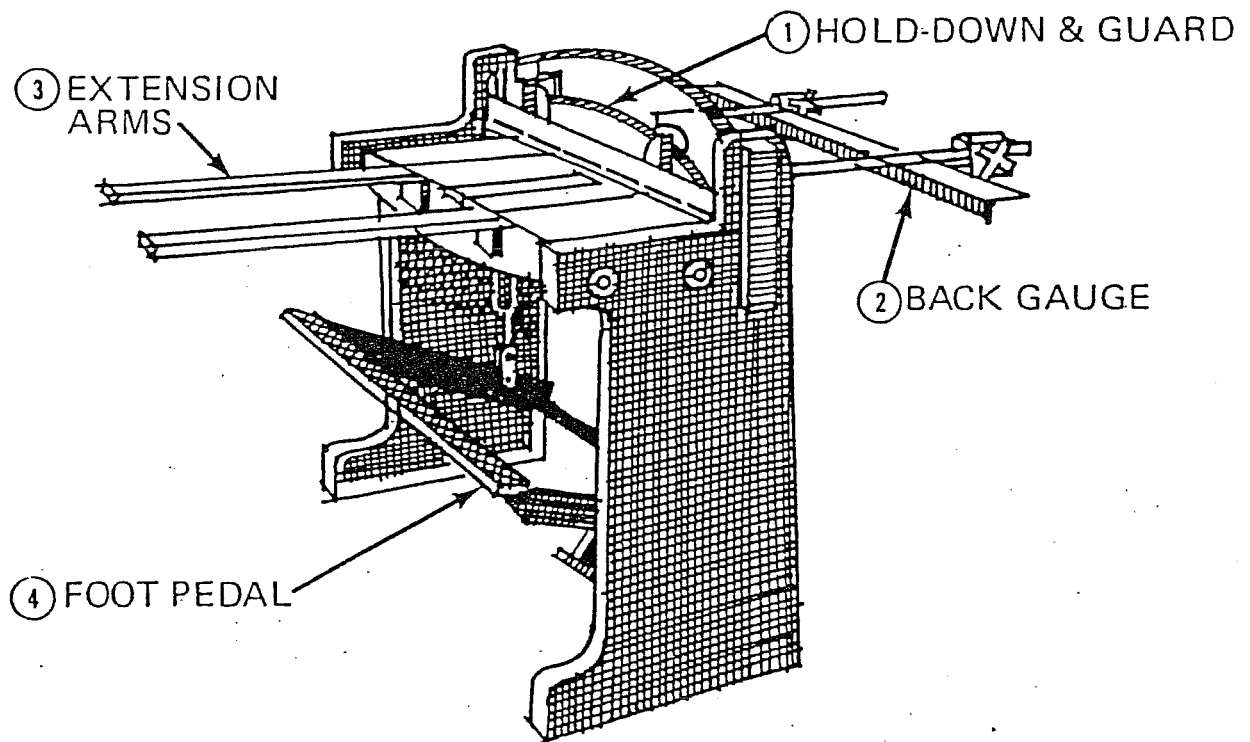
To certify on the squaring shear you will need to know:

1. The safety rules.
2. Learn the parts of the squaring shear.
3. Demonstrate your ability to cut sheet metal.

Squaring shear safety rules

1. Wear eye protection.
2. Check the set up of the machine before operating.
3. Feed and operate from the front or operator's position.
4. Never surpass the capacity of the machine (Maximum thickness 22 gauge steel.)
5. Always keep your fingers away from the pressure bar and blade, a minimum of 4 inches.
6. Keep the foot that is not being used out from under the foot pedal.
7. Allow small pieces to drop; do not attempt to catch them.
8. Remove burrs before working; Gloves are recommended for handling sheet metal, especially large pieces.
9. Place scraps or trimmings in metal waste container and return machine to normal position.
10. Whenever two people are needed to operate the shear, one shall be the operator, the other the helper.

Parts of the form rolls



SQUARING SHEAR

To certify on the squaring shear you will need to know:

1. The safety rules.
2. Learn the parts of the squaring shear.
3. Demonstrate your ability to cut sheet metal.

Squaring shear safety rules

1. Wear eye protection.
2. Check the set up of the machine before operating.
3. Feed and operate from the front or operator's position.
4. Never surpass the capacity of the machine (Maximum thickness 22 gauge steel.)
5. Always keep your fingers away from the pressure bar and blade, a minimum of 4 inches.
6. Keep the foot that is not being used out from under the foot pedal.
7. Allow small pieces to drop; do not attempt to catch them.
8. Remove burrs before working; Gloves are recommended for handling sheet metal, especially large pieces.
9. Place scraps or trimmings in metal waste container and return machine to normal position.
10. Whenever two people are needed to operate the shear, one shall be the operator, the other the helper.

Parts of the form rolls

