

Scroll Saw

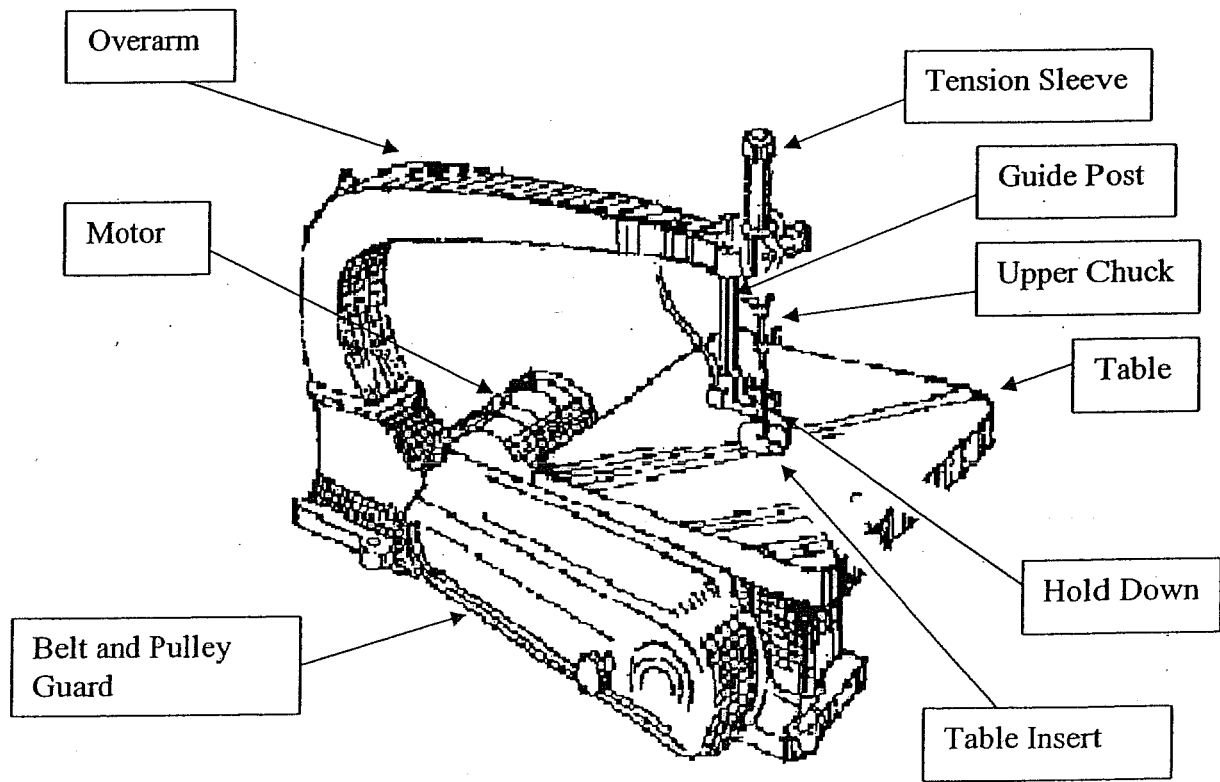
To certify on the Scroll saw you will need to know:

1. The scroll saw safety rules.
2. The parts of the scroll saw.
3. How to adjust the hold down to the correct height.
4. Cut along a line on a board.

Scroll saw safety rules.

1. Wear eye protection
2. Make adjustments before turning on the scroll saw.
3. Lower hold-down so spring fingers bear lightly on work.
4. The danger area is within the line of cut. Hold work piece with both hands on either side of the saw line. (kerf).
5. Avoid overloading the machine by feeding to fast.
6. Avoid pinching the blade by turning too sharply.
7. Shut off power and clean the machine before you leave it.

Parts of the scroll saw.



How to adjust the hold down to the correct height.

1. Loosen thumbscrew on guide post.
2. Place material to be cut on table.
3. Hold guide post and lift so hold down clears the thickness of the material to be cut.
4. Place hold down so spring fingers bear lightly on the material.
5. Tighten thumbscrew on guide post.
6. Turn on scroll saw and make your cut.
7. When finished cutting turn off saw and remove material.
8. Loosen thumbscrew on guide post and set spring fingers on the table. Do not forget to clean area.