

Router

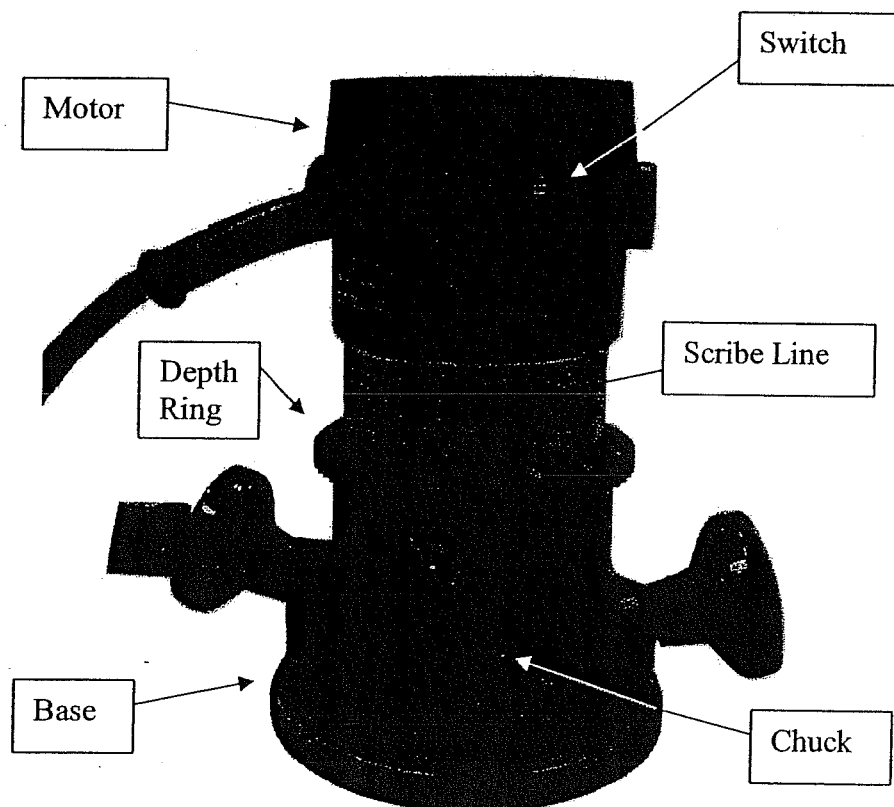
To certify on the router you will need to know:

1. The safety rules.
2. The parts of the router.
3. How to install a router bit and rout along a line.

Router safety rules.

1. Wear eye protection.
2. Disconnect plug prior to changing bits or making adjustments to the router
3. Make sure router bit is installed at least 1/2 inch into the chuck.
4. Be sure the router bit is installed tightly in the chuck. Not doing so could result in damage to chuck or router bit.
5. Check the wood to be routed for foreign objects such as nails or similar materials. These objects should be removed.
6. Hold router tightly.
7. Your project should be securely clamped to the bench.
8. Move router from left to right on straight edges and counterclockwise when you cut circular or curved edges.

Parts of the router



How to remove and install the bit in the router.

1. For the Rockwell router you will need the 2 router wrenches.
2. Get router bit from instructor.
3. Remove the motor from the base and lay the router on its side. Loosen the nut on the chuck and install bit at least $\frac{1}{2}$ inch into the chuck. Tighten the nut tightly on the chuck.
4. Twist the motor back in the base.
5. Zero the router by rotating the motor until the bit touches the surface to be routed. Move the depth ring until the zero mark lines up with the scribed line on the motor.
6. **Do Not** move the depth ring but rotate the motor inside the base so the scribed line lines up with your desired depth of cut located on the depth ring. Use the thumb screw to lock the base in place.
7. Lay the router on its side. Hold on to the handle with one hand and turn on the switch with the other. Rotate the router vertical and place it in the starting position to begin routing your wood. Look through the base and watch the router bit as you cut.
8. When you have finished routing, lay the router on its side, hold onto the handle and turn off the switch. Wait for the router bit to stop turning.
9. To remove the bit. Unplug the router. Take the motor out of the base and keep the motor on its side. Loosen the chuck nut with the router wrenches and pull out the bit. If the bit is still stuck in the chuck tap the nut on the chuck a couple of times, being careful not to hit the threads or the bit. Then pull on the bit. If it is still stuck get the instructor to help you.
10. Place the router back in the base and return router bit back to instructor.