

Metal Lathe

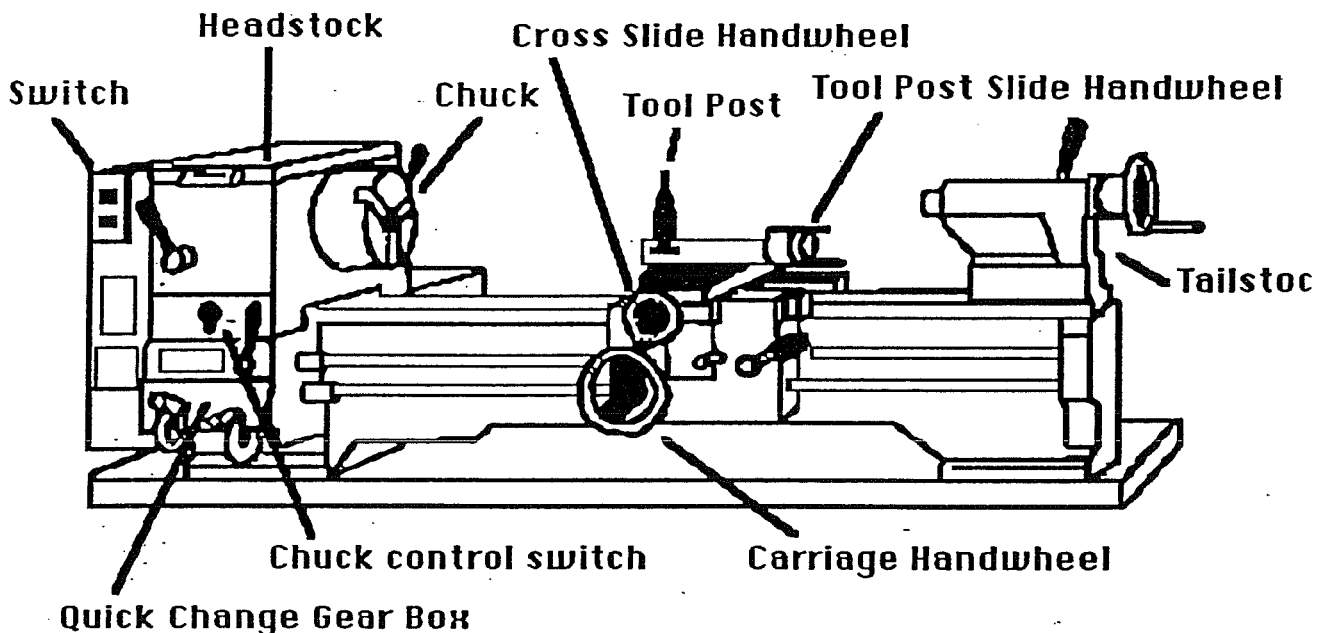
To certify on the Metal Lathe you will need to know:

1. The safety rules.
2. The parts of the metal lathe.
3. Demonstrate your ability to operate the metal lathe.

Metal Lathe safety rules

1. Wear eye protection. (safety glasses)
2. Remove jewelry, eliminate loose clothing and confine long hair.
3. Do not leave the lathe until it has stopped.
4. A brush should be used to remove chips.
5. The chuck should be turned by hand before starting.
6. Never leave the chuck wrench in the chuck.
7. Stock should be balanced and secured before starting.
8. Operate at the correct speed for the job.
9. Handle chuck with care; keep hands away from moving parts and work.

Metal Lathe parts



METAL LATHE CHECK OPERATION CHECK LIST

- () Activate power
 - a. Forward direction.
 - b. Reverse direction.
 - (If the carriage is too close to the chuck or engaged, damage could result.)
- () Move carriage forward using carriage handwheel.
- () Move the cross slide using the cross slide handwheel.
- () Move the tool post slide using the tool post slide handwheel.
- () Mount stock in three jaw chuck.