

# CIRCULAR SAW

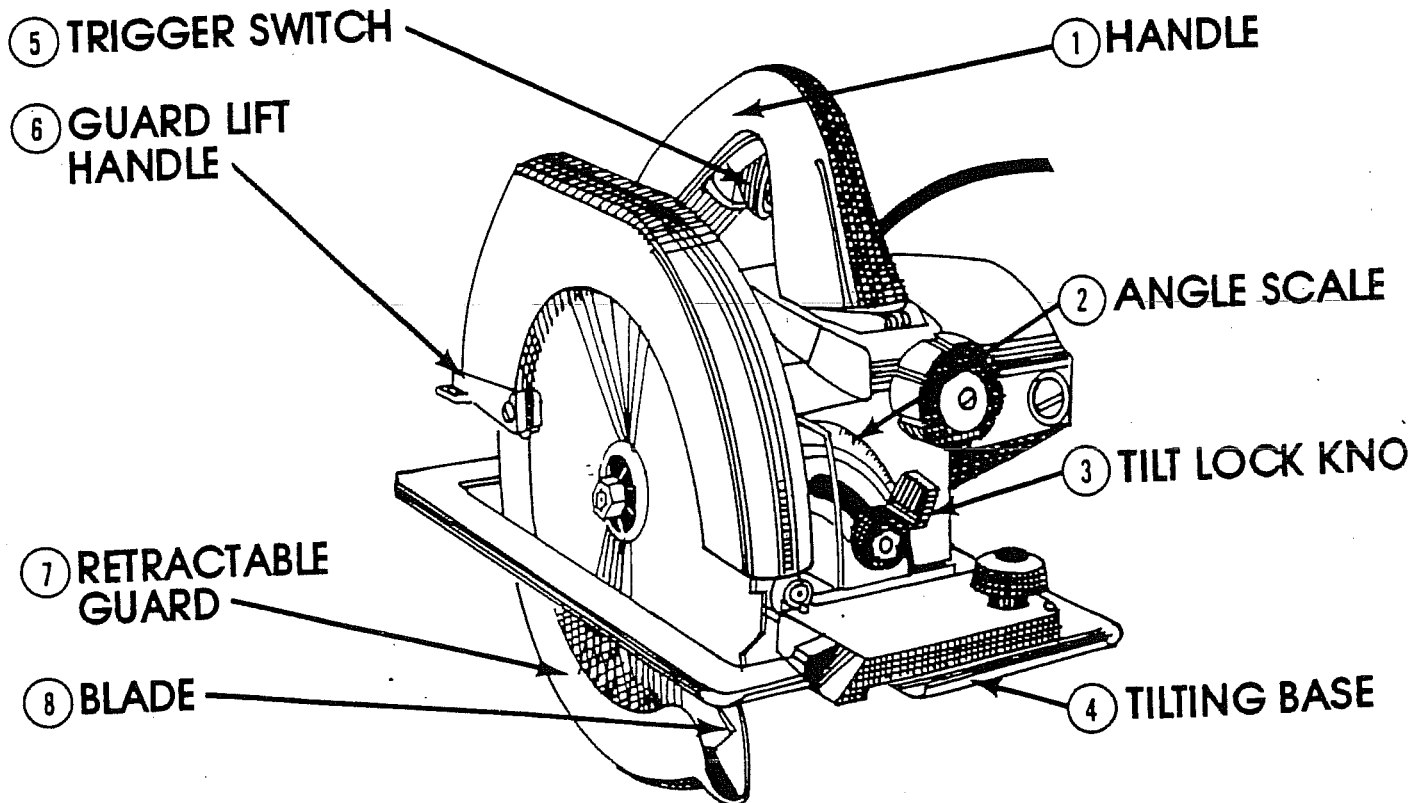
To certify on the circular saw you will need to know:

1. The safety rules.
2. The parts of the circular saw.
3. How to make a cut using the circular saw.

## Circular saw safety rules

1. Wear eye protection.
2. Roll up or tie back any loose clothing or long hair.
3. Check the base setting for the proper depth of cut.
4. Be sure the material you are cutting is adequately supported.
5. Make sure the power cord is clear of the blade.
6. If the saw blade binds or smokes, stop immediately.
7. Make sure that the telescoping guard returns automatically to cover the blade after each cut.
8. Do not set saw down until blade stops.

## Circular saw parts



## HOW TO MAKE A CUT WITH THE CIRCULAR SAW.

1. Place the base of the saw on the wood with the blade in line with your line of cut. The blade must not touch your wood.
2. Turn on the saw and allow it to come to full speed.
3. Slowly but steadily move the blade up to and then along the line of cut until the cut is complete.
4. Allow the saw base to rest on the uncut wood and turn off the power. Do not remove the blade until the blade has come to a complete stop.