

# BELT SANDER

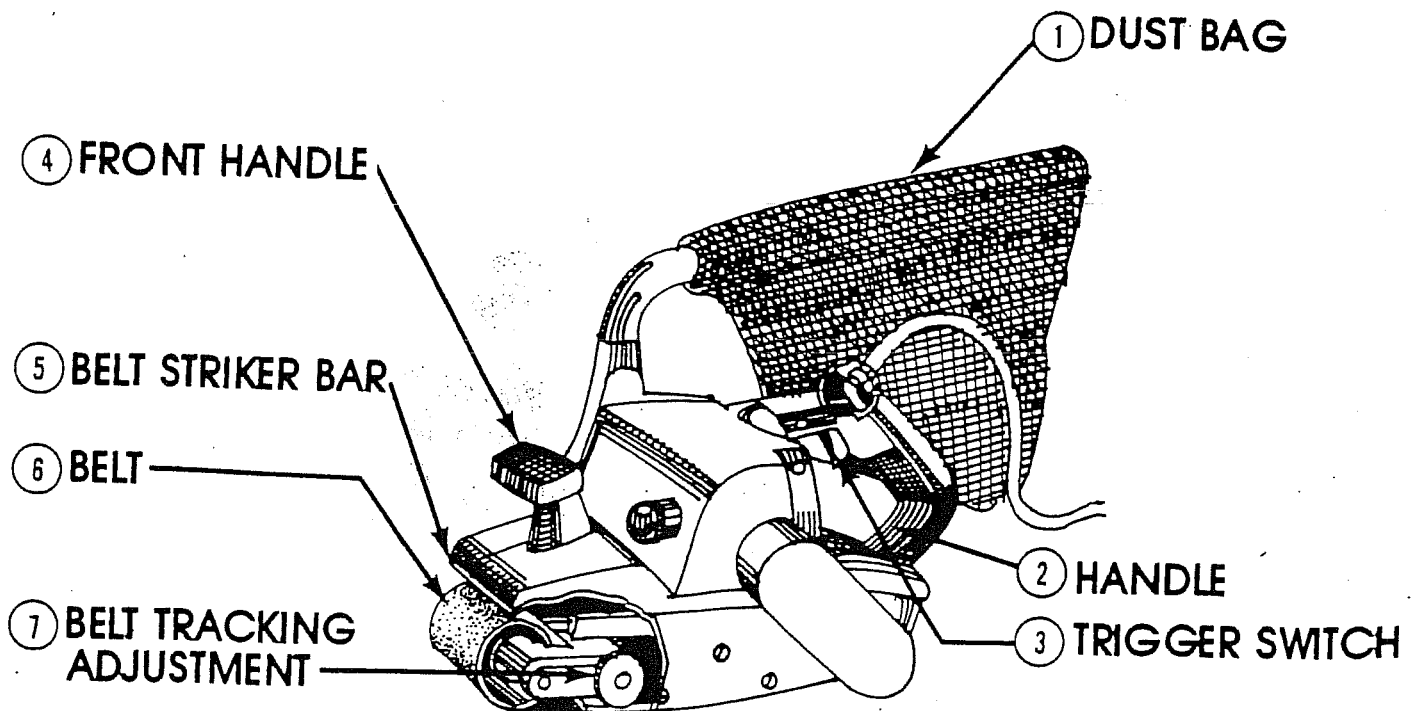
To certify on the belt sander you will need to know:

1. The safety rules.
2. The parts of the belt sander.
3. How to install and track the belt on the sander.
4. Demonstrate your ability to use the belt sander.

## Belt sander safety rules

1. Wear eye protection.
2. Check to see if belt is properly installed and in good condition before starting.
3. Start sander above your work. Let rear of sander touch first.
4. Keep electrical cord clear and dust bag away from sander belt.
5. Lift sander off work before stopping.
6. Wait until belt has completely stopped before placing sander on work bench.
7. Empty dust bag daily into proper container.

## Belt sander parts



### How to remove and install the abrasive belt.

1. Lay the belt sander on its side with the belt tracking adjustment down. Between the two rollers is located the clamp. Pull this up so the belt becomes loose and remove the belt.
2. To replace the belt look inside of the belt for the direction of rotation. There will be a printed arrow inside the belt showing the correct direction of rotation. Now push clamp down so that the belt is now tight.

### How to track the belt on the belt sander.

1. Position sander so that the belt will not come in contact with the bench. You should have an easy reach for the belt tracking adjustment.
2. Start motor using the trigger switch. Move the adjustment knob clockwise or counterclockwise slowly and watch the belt so that you center the belt on the rollers.
3. At this time you are ready to sand.

### Here are some tips for using the belt sander.

1. Lift sander with both hands. Turn on trigger switch.
2. Lower the belt sander to the wood surface, back down first. Guide the belt sander over the surface with both hands. Its own weight is enough pressure.
3. Sand only in the direction of the wood grain.
4. Work the belt sander back and forth over a fairly wide area. Do not pause in any one spot while sanding, this may cause dents in the surface.
5. Remove sander from surface before you stop sanding.